

## EXD Technical Data

### Double Deck High Lift Pallet Truck

---

EXD 18/Li-Ion

EXD 20/Li-Ion

EXD-SF 20/Li-Ion

EXD-S 20/Li-Ion



EXD Double Deck High Lift Pallet Truck  
Double the load – half the time

This specification sheet, which conforms to VDI guideline 2198, provides the technical values for the standard equipment only. Different tyres, other masts, the use of accessories, etc. may result in other values.



Distinguishing marks	1.1		STILL	STILL	STILL	STILL	STILL
	1.2		EXD 18 K	EXD 18 L/Li-Ion	EXD 20/Li-Ion	EXD-SF 20/Li-Ion	EXD-S 20/Li-Ion
1.3	Drive		Electric	Electric	Electric	Electric	Electric
1.4	Operation		Pedestrian truck	Pedestrian truck	Pedestrian truck	Standing/pedestrian truck	Standing truck
1.5	Load capacity/load	Q	kg	1800	1800	2000	2000
1.5.1	Load capacity/load	as a double decker	kg	1000 + 800	1000 + 800	1000 + 1000	1000 + 1000
1.6	Load centre distance	c		600	600	600	600
1.8	Load distance	x		862 <sup>2,6</sup>	858 <sup>2,6</sup>	860 <sup>2</sup>	860 <sup>2</sup>
1.9	Wheel base	y		1413 <sup>2</sup>	1463 <sup>2</sup>	1556 <sup>2</sup>	1632 <sup>2</sup>
2.1	Service weight (incl. battery)		kg	854	948	1044	1156
2.2	Axle load, laden	drive end/load end	kg	938/1716	949/1799	1012/2032	1276/1880
2.3	Axle load, unladen	drive end/load end	kg	615/239	674/274	694/350	814/342
3.1	Tyres			Polyurethane	Polyurethane	Polyurethane	Polyurethane
3.2	Tyre size	drive side		∅ 230 x 75	∅ 230 x 75	∅ 230 x 75	∅ 230 x 75
3.3	Tyre size	load end		∅ 85 x 85	∅ 85 x 60	2x ∅ 85 x 59.5	2x ∅ 85 x 59.5
3.4	Support castor size	drive side	mm	∅ 125 x 40	∅ 125 x 40	∅ 140 x 54	∅ 140 x 54
3.5	Number of wheels (x = driven)	drive end/load end		1x2 /2	1x2 /4	1x2 /4	1x2 /4
3.6	Tread	drive end/load end	b <sub>10</sub> /b <sub>11</sub> mm	482/380	482/380	495/380	495/380
4.2	Height of mast when lowered	h <sub>1</sub>	mm	1290	1290	see mast table	see mast table
4.3	Free lift	h <sub>2</sub>	mm	150	150	see mast table	see mast table
4.4	Lift	h <sub>3</sub>	mm	1574	1574	see mast table	see mast table
4.5	Height of mast when raised	h <sub>4</sub>	mm	2202	2202	see mast table	see mast table
4.6	Initial lift	h <sub>5</sub>	mm	125	125	130	130
4.9	Height of tiller arm in the running position	min./max. h <sub>14</sub>	mm	740/1230	740/1230	1070/1558	1120/1370
4.10	Height of wheel arms	h <sub>8</sub>	mm	80	80	85	85
4.15	Height when lowered	h <sub>13</sub>	mm	86	86	91	91
4.19	Overall length	l <sub>1</sub>	mm	1899	1954	2086	2162
4.20	Length including fork backs	l <sub>2</sub>	mm	709	764	936	1012
4.21	Overall width	b <sub>1</sub>	mm	720	720	720	720
4.22	Fork dimensions	s/e/l	mm	52/180/1190	52/180/1190	52/180/1150	52/180/1150
4.24	Fork carriage width	b <sub>3</sub>	mm	711	711	710	710
4.25	Overall fork width	b <sub>5</sub>	mm	560	560	560	560
4.31	Ground clearance under mast	m <sub>1</sub>	mm	20/145	20/145	21/151	21/151
4.32	Ground clearance, centre of wheel base	m <sub>2</sub>	mm	20/145	20/145	25/155	25/155
4.34	Working aisle width with 800 x 1200 pallet lengthways (b <sub>12</sub> x l <sub>3</sub> )	A <sub>st</sub>	mm	2179 <sup>1</sup>	2233 <sup>1</sup>	2334 <sup>4</sup>	2410 <sup>4</sup>
4.35	Turning radius	W <sub>a</sub>	mm	1641 <sup>2,6</sup>	1691 <sup>2,6</sup>	1794 <sup>2</sup>	1870 <sup>2</sup>
5.1	Travel speed	laden/unladen	km/h	6/6	6/6	6.0/6.0	7.5/9.0
5.2	Lifting speed (initial lift)	laden/unladen	m/s	0.040/0.042	0.040/0.042	0.05/0.06	0.05/0.06
5.2.1	Lifting speed (main lift)	laden/unladen	m/s	0.10/0.15	0.10/0.15	0.16/0.31	0.16/0.31
5.3	Lowering speed (initial lift)	laden/unladen	m/s	0.062/0.031	0.062/0.031	0.06/0.06	0.06/0.06
5.3.1	Lowering speed (main lift)	laden/unladen	m/s	0.326/0.13	0.326/0.13	0.30/0.25	0.30/0.25
5.9	Acceleration speed (to 10 m)	laden/unladen	s	-	-	8/7	7.2/5.85
5.10	Service brake			Electromagnetic	Electromagnetic	Electromagnetic	Electromagnetic
6.1	Drive motor, output with S2 60 min		kW	1.2	1.2	2.3	2.3
6.2	Lifting motor, output with S3 15%		kW	1.2	1.2	2.2/7%	2.2/10%
6.3	Battery in accordance with DIN 43531/35/36 A, B, C			DIN 43535 A	DIN 43535	2PzS	3PzS
6.4	Battery voltage/nominal capacity K <sub>s</sub>		V/Ah	24/250	24/250 Li-Ion: 24/82 - 24/164	24/250 Li-Ion: 24/82	24/375 Li-Ion: 24/82
6.5	Battery weight ±5% (depending on manufacturer)		kg	157	212	212 Li-Ion: 51-71	288 Li-Ion: 51-71
6.6	Energy consumption acc. to VDI cycle		kWh/h	0.61	0.61	0.75	1.07
8.1	Drive control			AC control	AC control	AC control	AC control
8.4	Sound level at driver's ear		dB(A)	65	65	66	66

<sup>1</sup> In accordance with FEM 4.005-2013 for low lift trucks; diagonal in accordance with VDI 2198-2012 = +186 mm initial lift raised; +212 mm initial lift lowered

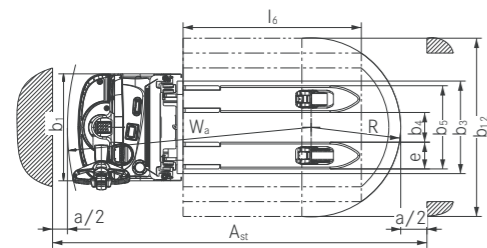
<sup>2</sup> for EXD 18 K and EXD 18L/Li-Ion; +110 mm for EXD 20/Li-Ion, EXD-SF 20/Li-Ion and EXD-S 20/Li-Ion

<sup>3</sup> Open at rear/open at side

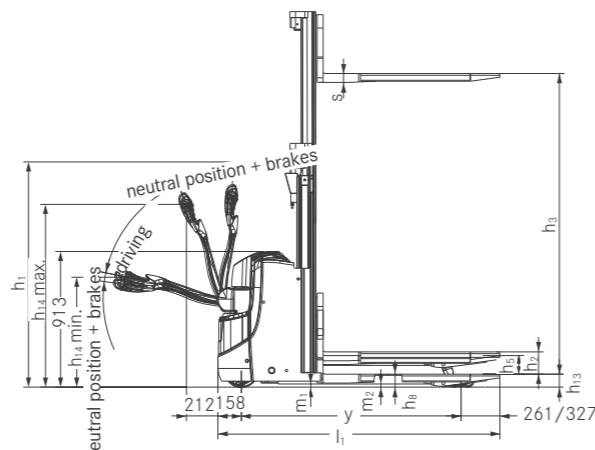
<sup>4</sup> In accordance with FEM 4.005-2013 for low lift trucks; aisle in accordance with VDI 2198-2012 = +184 mm with initial lift raised; +230 mm

<sup>5</sup> Platform lowered

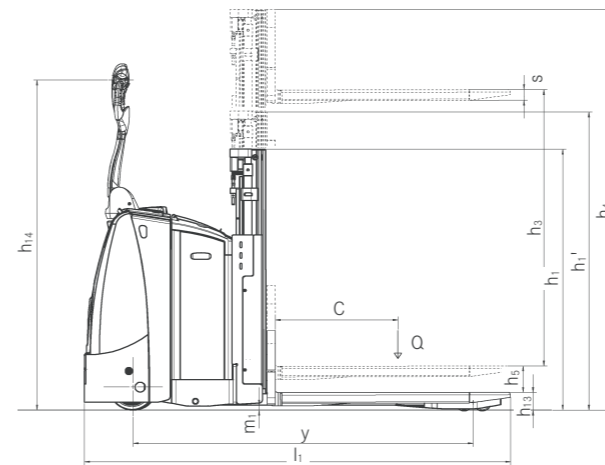
<sup>6</sup> Initial lift lifted



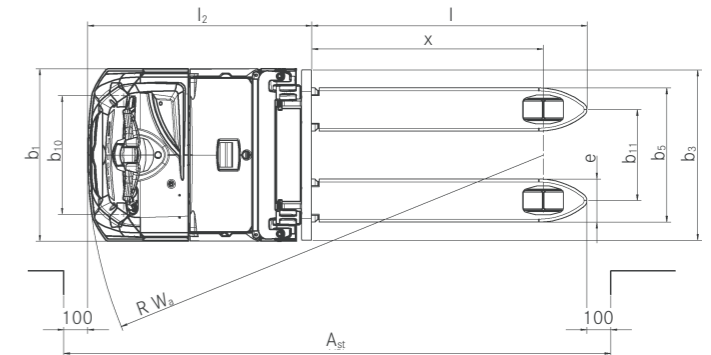
EXD 18 K/L Top view



EXD 18 K/L Side view

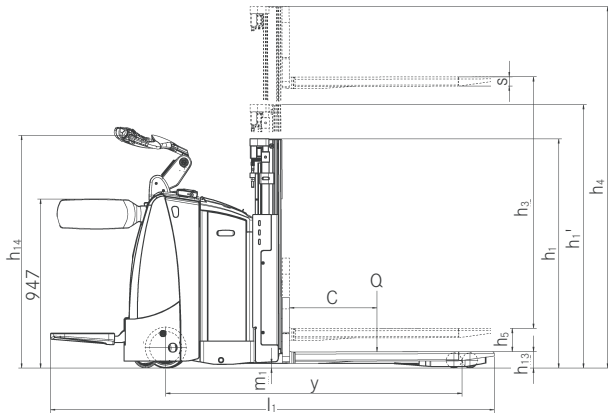


EXD 20 Side view

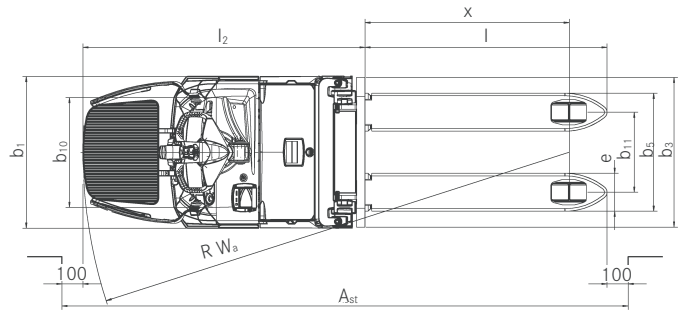


EXD 20 Top view

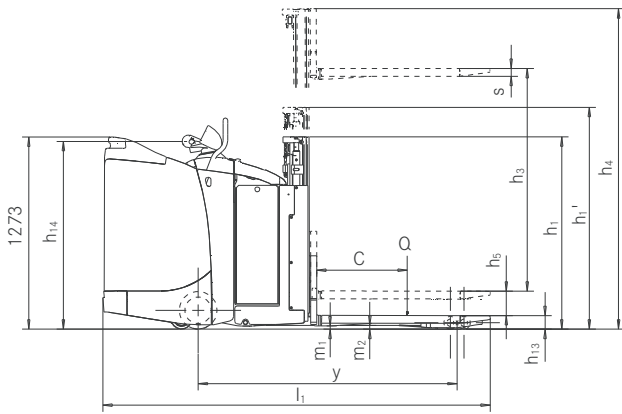
EXD Double Deck High Lift Pallet Truck  
 Technical Drawings



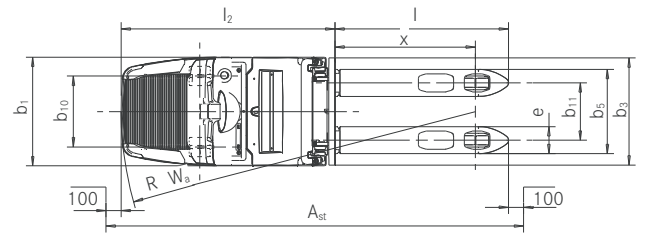
EXD-SF Side view



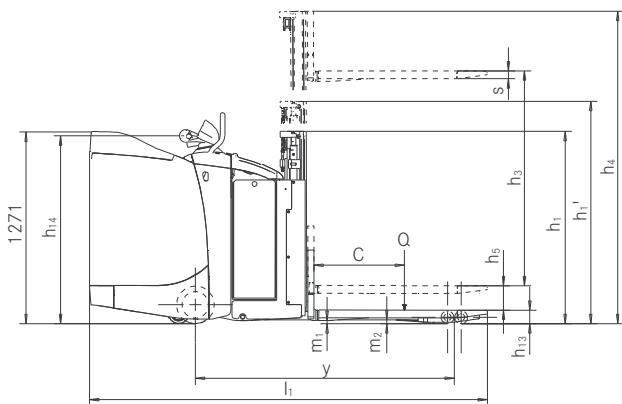
EXD-SF Top view



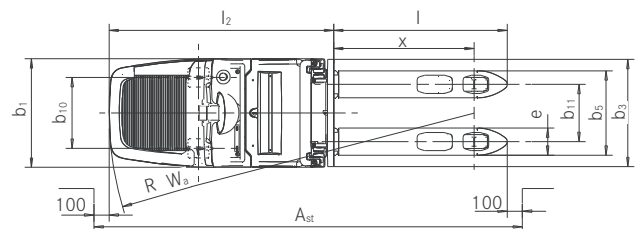
EXD-S rear entry, side view



EXD-S rear entry, top view



EXD-S side entry, side view



EXD-S side entry, top view

## EXD Double Deck High Lift Pallet Truck Mast Tables

EXD 18 K - EXD 18 L	Telescopic mast EXD 18 K - EXD 18 L				
	Height	$h_1$	mm	1290	1365
Height with used free lift ( $h_3 = 150$ mm)	$h_1'$	mm	1365	1440	1590
Free lift	$h_2$	mm	150	150	150
Lift	$h_3$	mm	1574	1724	2024
Maximum height	$h_4$	mm	2202	2352	2652

EXD 20 - EXD-SF 20	Telescopic mast EXD 20 - EXD-SF 20					HiLo
	Height	$h_1$	mm	1275	1525	
Height with used free lift ( $h_3 = 150$ mm)	$h_1'$	mm	1350	1600	1800	-
Free lift	$h_2$	mm	150	150	150	1462
Lift	$h_3$	mm	1580	2024	2424	2924
Maximum height	$h_4$	mm	2067	2537	2937	3437

EXD-S 20	Telescopic mast EXD-S 20		
	Height	$h_1$	mm
Height with used free lift ( $h_3 = 150$ mm)	$h_1'$	mm	1350
Free lift	$h_2$	mm	150
Lift	$h_3$	mm	1580
Maximum height	$h_4$	mm	2067



## EXD Double Deck High Lift Pallet Truck Double the load – half the time

EXD 18 K/L



Precise double deck stacking thanks to the unique EXD 18 pallet positioner

Be safe at all times with the exclusive STILL OPTISPEED tiller

Increased turnover through various driving programmes

The EXD 18 double deck high lift pallet truck is a real allrounder. Used as a low lift truck, it lifts loads weighing up to 1,800 kg. In double deck mode, the compact and agile truck lifts 1,000 kg on the load arms and 800 kg on the forks. In this way, you can load and unload lorries twice as fast and speed up order picking work noticeably. Pallet stacking becomes easier and more reliable due to the rounded fork tips. The

OPTISPEED tiller adjusts the speed automatically according to your distance from the truck and allows maximum freedom of movement. You can operate all functions with one hand, no matter which one. The EXD 18 is available in two versions: the EXD 18 K has a particularly compact length dimension, whereas the EXD 18 L comes with a more powerful battery and can thus operate up to eight hours continuously.

EXD 20



Single-handed control of all functions for right-handed as well as left-handed drivers thanks to the STILL combi-tiller

Precise handling as lift and lowering buttons can be haptically distinguished

The driver's feet are always protected due to low truck contour

Horizontal transport of heavy loads is where the EXD 20 shines, being one of the most powerful hand-guided double deck lift trucks in the market. The agile warehouse organiser lifts up to 2,000 kg, or 2 x 1,000 kg in double deck mode in no time. All functions can be controlled with one hand by right-handed as well as left-handed drivers.

The haptically distinguishable lift and lowering buttons allow you to fully concentrate on the goods to be transported. The EXD 20 moves precisely, smoothly and jerk-free within a limited space while always protecting the driver's feet, thanks to the low truck contour.

## EXD Double Deck High Lift Pallet Truck Double the load – half the time

EXD-SF



Optimum safety distance to the truck: unique STILL combi tiller for safe driving even in pedestrian operation

Pneumatically dampened stand-on platform ensures fatigue-free work and less strain for the driver

Height-adjustable side arms enable individual adjustments to the driver

Are you asking for a partner that is ideal in two ways, for horizontal transport on medium and long distances? The EXD-SF is the answer. Thanks to the double deck mode, you can lift two pallets of up to 1,000 kg each simultaneously – the perfect solution for pressure-sensitive goods like fruit or vegetables that require quick handling. And you can lift single pallets up to 2,000 kg. The EXD-SF comes with a

hinged, air-suspended stand-on platform that keeps you from getting out of breath even on long distances. Hinged, height-adjustable side arms guarantee safe driving up to 9 km/h. But the EXD-SF with single-handed control has yet more to offer: excellent floor contact, jerk-free and sensitive drive as well as smooth, precise steering.

EXD-S



High driving comfort due to dampened stand-on platform

Best protection of driver and goods thanks to Curve Speed Control

Powerful gradeability thanks to the special design of the chassis

Efficiency, high performance, maximum comfort and safety – the EXD-S fulfils all these requirements. The comfortable, dampened driver's compartment allows you to cover long distances quickly and comfortably. The chassis is specifically designed for powerful gradeability. Its Curve Speed Control, the assistance system that adjusts the speed automatically when cornering, makes sure that you

not only work fast, but also safely. Whether you would like to lift two pallets of up to 1,000 kg each or one pallet of 2,000 kg, with the EXD-S you can always fully concentrate on the goods to be transported. Moreover, the truck adjusts to the task at hand: Select BOOST mode for maximum performance, or the particularly energy-efficient ECO mode during work for longer periods.

# EXD Double Deck High Lift Pallet Truck Detailed Photos



High turnover performance and optimum view onto the load thanks to the free-view mast



Precise double deck stacking thanks to the unique EXD 18 pallet positioner



STILL lithium-ion battery technology for full performance at all times



Precise handling of the EXD 18 and EXD 20: lift and lowering buttons can be haptically distinguished



Optimum safety distance to the truck: unique STILL combi-tiller for safe driving even in pedestrian operation



The pneumatically dampened stand-on platform ensures fatigue-free work and less strain for the driver



High goods turnover with load capacities of up to 2 tons in double deck operation



Powerful gradeability thanks to the special design of the EXD-S chassis

EXD Double Deck High Lift Pallet Truck  
Double the load – half the time





## EXD Double Deck High Lift Pallet Truck

### Double the load – half the time

---

The pneumatically dampened stand-on platform of the EXD-SF ensures fatigue-free work and less strain for drivers

High driving comfort in pedestrian operation with the exclusive STILL combi-tiller for the EXD 20 and EXD-SF

Precise double deck stacking thanks to the unique EXD 18 pallet positioner



Made for your application: the model range of STILL EXD double deck high lift trucks provides the optimum solution for every application profile. Developed to make horizontal transport with loads up to 2,000 kg more efficient, smooth and safe, these trucks set standards in terms of compactness, ergonomics and intuitive operability. The option to transport two pallets simultaneously by placing one above the other not only makes turnover twice as fast. Since the pallets

do not touch each other, the double deck mode is ideal to handle pressure-sensitive goods like food. Smart features to stack pallets and driving programmes that can be adjusted according to the task at hand make sure that every application is performed successfully. Whether warehouse or sales floor, van or lorry, buffer store or picking area – with the STILL EXD, transporting goods is under your control, be it with your right or your left hand.

## Extensive Equipment

---

### Power

---

- Load capacities of up to 2,0 t for high turnover performance
- Reliable and powerful thanks to rotary current drive motor
- Ready for service at all times thanks to high battery capacity
- STILL Li-Ion battery technology for high performance at all times
- Increased turnover on pressing a button thanks to various driving programmes
- Powerful gradeability thanks to the special design of the EXD-S chassis
- Sufficient energy for multiple-shift operations: high battery capacity and optional battery change over the side
- Extreme capacity: the lithium-ion battery bundles a lot of energy and allows quick and easy opportunity charging

### Precision

---

- High turnover performance and optimum view onto the load thanks to free-view mast
- Fatigue-free work even in limited spaces thanks to electric steering of the EXD-SF and EXD-S
- Precise handling of the EXD 18 and EXD 20: lift and lowering buttons can be haptically distinguished
- Precise double deck stacking thanks to the unique EXD 18 pallet positioner

### Ergonomics

---

- Single-handed control of all functions for right-handed as well as left-handed drivers thanks to the STILL tiller
- The pneumatically dampened stand-on platform of the EXD-SF ensures fatigue-free work and less strain for drivers
- Height-adjustable side arms enable individual adjustments to the drivers
- High driving comfort in pedestrian operation with the exclusive STILL combi-tiller for EXD 20 and EXD-SF
- Optional battery change over the side for higher availability

### Compactness

---

- Perfect for limited spaces as well as to load and unload lorries: extremely agile due to compact dimensions
- Hinged stand-on platform of the EXD-SF for operation even in restricted spaces
- Optional space-saving battery change over the side

### Safety

---

- Optimum safety distance to the truck: unique STILL combi-tiller for safe driving also in pedestrian operation
- Full protection for the driver thanks to robust stand-on platform of the EXD-S and the side arms of the EXD-SF
- Optimally positioned and dimensioned collision switch for maximum operator safety
- Best protection for the driver and the goods thanks to Curve Speed Control
- Optional safe and easy battery change over the side

### Environmental Responsibility

---

- Practically conserving the environment through emission-free operation of EXD trucks
- Eco-friendly and energy saving ECO driving programme
- Over 95% of the used materials can be recycled
- Low operational costs: low energy consumption and long maintenance intervals

# EXD Double Deck High Lift Pallet Truck Equipment Variants



	EXD 18 K	EXD 18 L	EXD 20	EXD-SF 20	EXD-S 20	
General	Air-suspended, individually adjustable stand-on platform for high operator comfort	—	—	—	●	—
	Air-suspended, individually adjustable stand-on platform for high operator comfort with predefined dampening values	—	—	—	○	●
	Various storage compartments	●	●	●	●	●
	Arrangement of controls suitable for right-handed and left-handed operators	●	●	●	●	●
	DIN A4 writing pad	—	—	○	○	○
	Platform access from the left	—	—	—	—	●
	Platform access from the rear	—	—	—	—	○
	Auto-lift function for ergonomic work	○	○	—	—	—
	Programmable display/service intervals	—	—	○	○	○
	Electric steering for fatigue-free work	—	—	●	●	●
	Different driving programmes for adjusted performance and energy efficiency in any situation	●	●	●	●	●
	Cold store version	○	○	○	○	○
	OPTISPEED tiller	●	●	●	—	—
	Preparation for Material Management System (MMS)	—	—	○	○	○
	Accessory bar on drive end	—	—	○	○	○
Tyres	Polyurethane drive wheel	●	●	●	●	●
	Threaded polyurethane drive wheel	○	○	○	○	○
	Solid rubber drive wheel	—	—	○	○	—
	Solid rubber drive wheel, natural coloured	—	—	○	○	—
	Solid rubber drive wheel, natural coloured, threaded	—	—	○	○	—
	Polyurethane load rollers/single	●	○	○	○	○
Polyurethane load rollers/tandem	○	●	●	●	●	
Safety	Free view mast for optimum visibility of the fork tips	●	●	●	●	●
	Mast cover	●	●	●	●	●
	Transparent Polycarbonate mast cover	○	○	○	○	—
	Automatic speed adjustment when cornering	—	—	—	●	●
	Side guards adjustable in height	—	—	—	○	—
	FleetManager: Access authorisation, shock detection, reports	○	○	○	○	○
	Combi-tiller steering for high efficiency and safety	—	—	○	○	—
	PIN code access	○	○	○	○	○
	Foot guard for pedestrian operation	—	—	○	○	—
	Access authorisation STILL key	○	○	○	○	○
	Load backrest 600 mm	—	—	○	○	—
Load backrest 800 mm	○	○	○	○	—	
Load backrest 1000 mm	—	—	○	○	—	
Battery	Battery compartment for battery 134-150 Ah for battery change by crane	●	—	—	—	—
	Battery compartment for battery 200-250 Ah for battery change by crane	—	●	●	●	—
	Battery compartment for battery 300-375 Ah for battery change by crane	—	—	○	○	—
	Battery compartment for battery 200-250 Ah for battery change over the side with change frame	—	○	○	○	—
	Battery compartment for battery 300-375 Ah for battery change over the side with change frame	—	—	○	○	—
	Battery compartment for battery 300-465 Ah for battery change over the side with roller track	—	—	—	—	●
	Battery compartment for battery 480-620 Ah for battery change over the side with roller track	—	—	—	—	○
	STILL Li-Ion battery 82 Ah	—	○	○	○	—
	STILL Li-Ion battery 164 Ah	—	○	○	○	—
	STILL Li-Ion battery 205 Ah	—	—	—	—	○
	STILL Li-Ion battery 410 Ah	—	—	—	—	○
On-board charger with protection against unintentional drive-off while charging	○	○	—	—	—	

● Standard ○ Optional — Not available

UAB Forksis



## Contact us

If you have any questions or if you want more information we are at your disposal.

Vilniaus m. sav. Vilniaus m. Kirtimu g. 2, 6 korpusas. Vilnius

Sales department:

Tel.: +370 65 573 113

Service department:

Tel.: +370 65 573 112

E-mail:

[info@forksis.lt](mailto:info@forksis.lt)

Online services:

[www.forksis.lt](http://www.forksis.lt)