

## RX 60 Technical Data

### Electric Forklift Truck

---



[RX 60-25](#)

[RX 60-25/600](#)

[RX 60-25L](#)

[RX 60-25L/600](#)

[RX 60-30](#)

[RX 60-30L](#)

[RX 60-30L/600](#)

[RX 60-35](#)



		STILL	STILL	STILL	STILL	STILL	STILL	STILL	STILL	STILL			
Distinguishing marks	1.1	Manufacturer											
	1.2	Manufacturer's type designation	<b>RX 60-25</b>	<b>RX 60-25/600</b>	<b>RX 60-25 L</b>	<b>RX 60-25L/600</b>	<b>RX 60-30</b>	<b>RX 60-30L</b>	<b>RX 60-30L/600</b>	<b>RX 60-35</b>			
	1.2.1	Manufacturer model number	6345	6346	6347	6348	6353	6354	6355	6356			
	1.3	Drive	Electro	Electro	Electro	Electro	Electro	Electro	Electro	Electro			
	1.4	Operation	Seated	Seated	Seated	Seated	Seated	Seated	Seated	Seated			
	1.5	Nominal load capacity/load	Q	kg	2500	2500	2500	2500	3000	3000	3500		
	1.6	Load centre distance	c	mm	500	600	500	600	500	500	500		
	1.8	Load spacing	x	mm	445	450	445	450	465	465	465		
	1.9	Wheel base	y	mm	1595	1595	1740	1740	1650	1740	1770		
Weights	2.1	Weight incl. battery		kg	4585	4840	4887	4919	5104	5049	5416	5521	
	2.2	Axle weight with load	front/rear	kg	6287/798	6502/838	6321/1066	6514/905	7274/830	7246/803	7532/884	8088/933	
	2.3	Axle weight without load	front/rear	kg	2306/2279	2356/2484	2463/2424	2505/2414	2519/2585	2582/2467	2696/2720	2680/2841	
Tyres/chassis	3.1	Tyres			Superelastic	Superelastic	Superelastic	Superelastic	Superelastic	Superelastic	Superelastic		
	3.2	Tyre size	front	mm	225/75-10 (23 x 9-10)	225/75-10 (23 x 9-10)	225/75-10 (23 x 9-10)	225/75-10 (23 x 9-10)	250/60-12 (23 x 10-12)	250/60-12 (23 x 10-12)	315/45-12	315/45-12	
	3.2	Tyre size	rear	mm	180/70-8 (18 x 7-8)	180/70-8 (18 x 7-8)	180/70-8 (18 x 7-8)	180/70-8 (18 x 7-8)	180/70-8 (18 x 7-8)	180/70-8 (18 x 7-8)	180/70-8 (18 x 7-8)	180/70-8 (18 x 7-8)	
	3.5	Number of wheels (x = driven)	front/rear		2x/2	2x/2	2x/2	2x/2	2x/2	2x/2	2x/2	2x/2	
	3.6	Track width	front/rear	b <sub>10</sub> /b <sub>11</sub>	mm	992/900	992/900	992/900	992/900	950/900	950/900	1002/900	1002/900
	4.1	Angle of mast/fork carriage	forward/backward <sup>4</sup>	α/β	°	5/7	5/7	5/7	5/7	5/7	5/7	5/7	
Basic dimensions	4.2	Height of mast	when retracted	h <sub>1</sub>	mm	2200	2200	2200	2200	2200	2200	2200	
	4.3	Free lift		h <sub>2</sub>	mm	160	160	160	160	160	160	160	
	4.4	Lift <sup>1</sup>		h <sub>3</sub>	mm	3020	3020	3020	3020	3020	3020	3020	
	4.5	Height of mast	when extended	h <sub>4</sub>	mm	3650	3800	3650	3800	3800	3800	3800	
	4.7	Height above protected roof (cabin)		h <sub>6</sub>	mm	2210	2210	2209	2209	2212	2212	2212	
	4.8	Seat height in terms of SIP		h <sub>7</sub>	mm	1262	1262	1262	1262	1257	1257	1257	
	4.12	Coupling height		h <sub>10</sub>	mm	485/365	485/365	484/364	484/364	487/367	486/366	486/366	
	4.19	Total length		l <sub>1</sub>	mm	3353	3558	3498	3703	3428	3518	3718	
	4.20	Length including fork backs		l <sub>2</sub>	mm	2353	2358	2498	2503	2428	2518	2548	
	4.21	Total width		b <sub>1</sub>	mm	1199	1199	1199	1199	1199	1199	1300	
	4.22	Fork dimensions		s/e/l	mm	40/100/1000	45/100/1200	40/100/1000	45/100/1200	50/100/1000	50/100/1000	50/100/1200	
	4.23	Fork carriage ISO 2328, class/form A, B				ISO II A	ISO II A	ISO II A	ISO II A	ISO III A	ISO III A	ISO III A	
	4.24	Fork carriage width		b <sub>3</sub>	mm	1150	1150	1150	1150	1150	1150	1150	
	4.31	Ground clearance under mast		m <sub>1</sub>	mm	125	125	125	125	125	125	125	
	4.32	Ground clearance centre wheel base		m <sub>2</sub>	mm	125	125	124	124	127	127	127	
	Performance data	4.34.1	Working aisle width with pallet 1000 x 1200 crossways <sup>4</sup>		A <sub>st</sub>	mm	3678	3683 <sup>3</sup>	3830	3835 <sup>3</sup>	3760	3850	3850 <sup>3</sup>
4.34.2		Working aisle width with pallet 800 x 1200 lengthways <sup>4</sup>		A <sub>st</sub>	mm	3877	3882	4030	4035	3960	4050	4079	
4.35		Turning radius		W <sub>s</sub>	mm	2032	2032	2185	2185	2095	2185	2214	
4.36		Smallest pivoting distance		b <sub>13</sub>	mm	539	539	590	590	570	590	594	
5.1	Driving speed	with/without load		km/h	19/20	19/20	19/20	19/20	19/20	19/20	19/20		
5.2	Lifting speed	with/without load		m/s	0.53/0.55	0.52/0.55	0.53/0.55	0.52/0.55	0.43/0.55	0.43/0.55	0.37/0.55		
5.3	Lowering speed	with/without load		m/s	0.54/0.45	0.54/0.45	0.54/0.45	0.54/0.45	0.51/0.45	0.51/0.45	0.51/0.45		
5.5	Drawbar pull	with/without load		N	8000/8110	7950/8060	7940/8050	7900/8050	7680/8040	7690/8060	7550/7960		
5.6	Max. drawbar pull	with/without load		N	17440/17220	17420/17090	17390/17210	17420/17130	17050/17240	17070/17270	17010/17110		
5.7	Gradeability	with/without load		%	21.3/29.5	20.4/29.1	20.3/30.2	20.0/30.0	18.1/29.0	18.3/30.1	17.2/28.0		
5.8	Max. gradeability	with/without load		%	25.5/29.7	24.0/28.3	24.2/30.2	24.0/30.0	21.7/29.0	21.9/30.6	20.9/29.3		
5.9	Acceleration time	with/without load		s	4.5/4.2	4.6/4.2	4.6/4.2	4.6/4.2	4.7/4.2	4.8/4.2	4.9/4.3		
5.10	Service brake				Electric/mechanical	Electric/mechanical	Electric/mechanical	Electric/mechanical	Electric/mechanical	Electric/mechanical	Electric/mechanical		
Electric engine	6.1	Drive motor, output with S2 60 min		kW	15	15	15	15	15	15	15		
	6.2	Lifting motor, output with S3 15%		kW	16.3	16.3	16.3	16.3	16.3	16.3	16.3		
	6.3	Battery according to DIN 43531/35/36 A, B, C, no			DIN 43536 A	DIN 43536 A	DIN 43536 A	DIN 43536 A	DIN 43536 A	DIN 43536 A	DIN 43536 A		
	6.4	Battery voltage	U	V	80	80	80	80	80	80	80		
	6.4.1	Battery capacity K <sub>s</sub>		Ah	560 - 620	560 - 620	700 - 775	700 - 775	560 - 620	700 - 775	700 - 775		
	6.5	Battery weight		kg	1558	1558	1863	1863	1558	1863	1863		
6.6	Energy consumption 60 VDI combustion cycles/hour		kWh/h	6.7	6.9	7.2	7.2	7.5	7.7	8.0			
Misc.	10.1	Working pressure for accessory equipment		bar	250	250	250	250	250	250	250		
	10.2	Oil volume for accessory equipment		l/min	30	30	30	30	30	30	30		
	10.7	Sound pressure level L <sub>paz</sub> (operator's position) <sup>2</sup>		dB(A)	<70	<70	<70	<70	<70	<70	<70		
	10.8	Human vibrations: acceleration in accordance with EN 13059		m/s <sup>2</sup>	<0.7	<0.7	<0.7	<0.7	<0.7	<0.7	<0.7		
10.8	Trailer coupling, item/DIN type			Bolt	Bolt	Bolt	Bolt	Bolt	Bolt	Bolt			

<sup>1</sup> The specified rated lift takes into consideration the tyre deflection and the tolerances of the tyre diameter

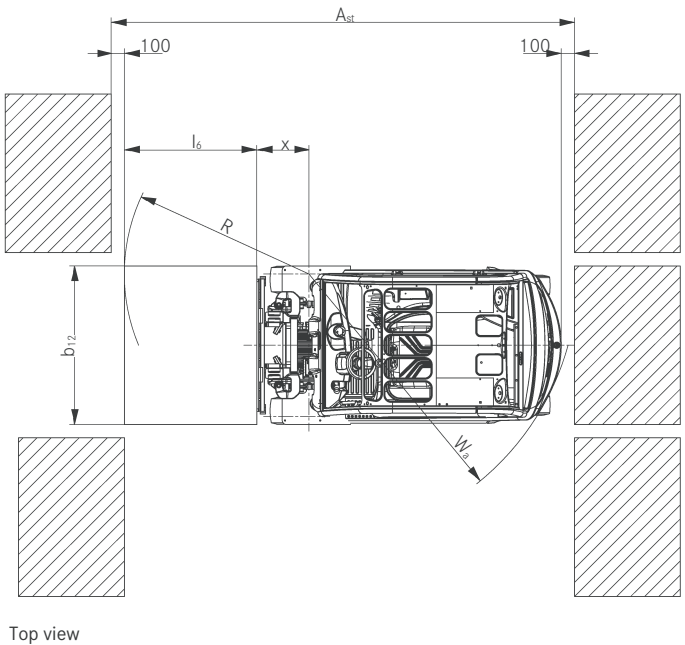
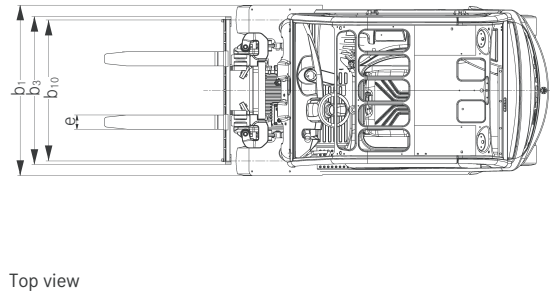
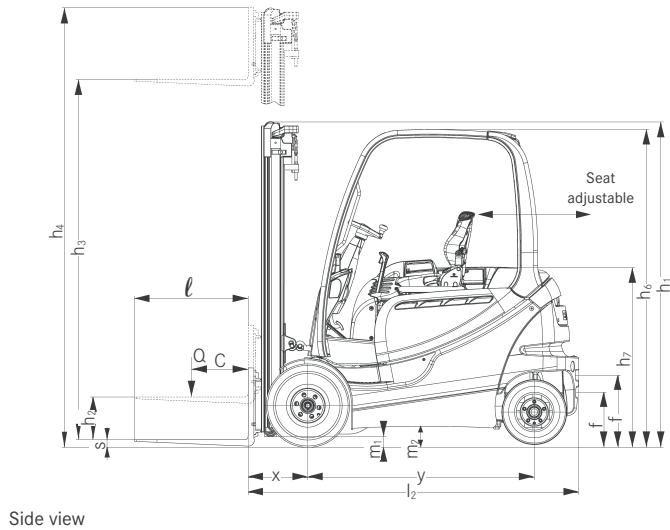
<sup>2</sup> Without cab. Different values with cab

<sup>3</sup> Fork overhang not included

<sup>4</sup> For telescopic, NiHo and triplex mast

# RX 60-25/35 Electric Forklift Truck

## Technical Drawings



## Gradients

Maximum distance that can be driven in 60 minutes.

Example: with a load of 2,500 kg and an incline of 10%, an RX 60-25 can drive a distance of 600 m up to ten times per hour.

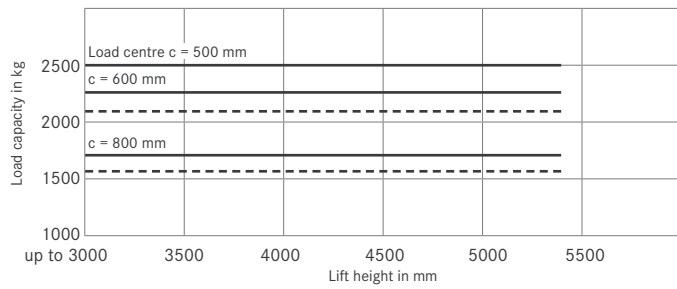
		Gradient	Maximum distance in m							
			RX 60-25	RX 60-25L	RX 60-30	RX 60-30L	RX 60-35	RX 60-25/600	RX 60-25L/600	RX 60-30/600
With load		20%	2670	1790	1400	1400	-	2160	1790	1120
		15%	4590	3740	2940	2940	2090	4180	3740	2560
		10%	6000	5790	5450	5450	5040	5860	5790	5270
		5%	8950	8600	8200	8200	7570	8640	8600	7880
Without load		25%	3770	3320	3020	3020	2120	3380	3320	2480
		20%	5340	5110	5030	5030	4090	5120	5110	4430
		15%	6480	6180	5990	5990	5810	6180	6180	5920
		10%	8280	7900	7710	7890	7260	7910	7900	7450
		5%	12400	11480	11690	11680	10880	11900	11480	10980

Dry rough concrete = coefficient of friction 0.8  
 Battery: standard as per specification sheet

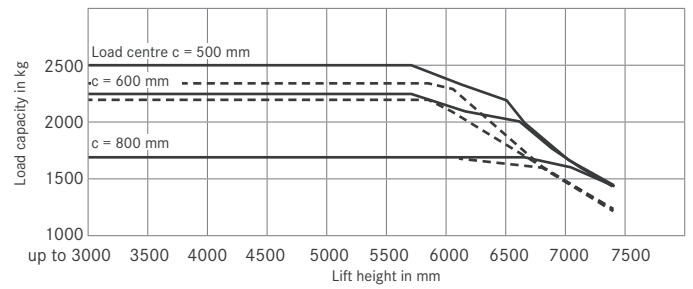
# RX 60-25/35 Electric Forklift Truck

## Basic Load Capacities

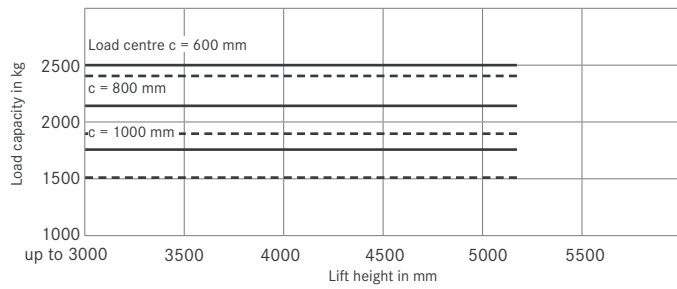
**RX 60-25 telescopic mast**



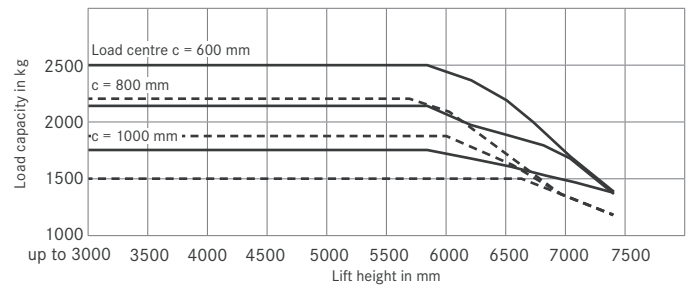
**RX 60-25 triplex mast**



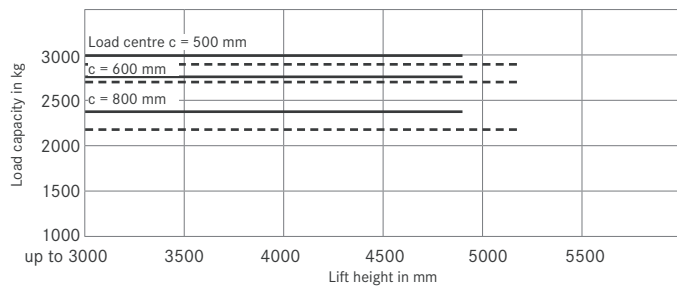
**RX 60-25/600 telescopic mast**



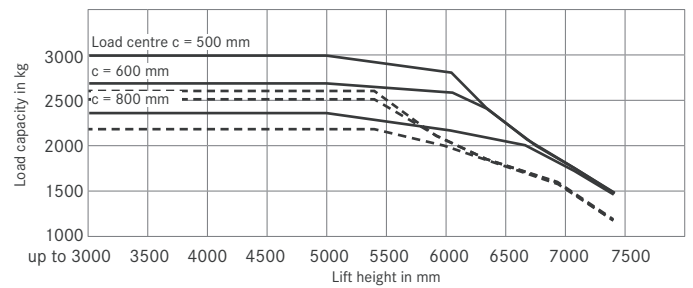
**RX 60-25/600 triplex mast**



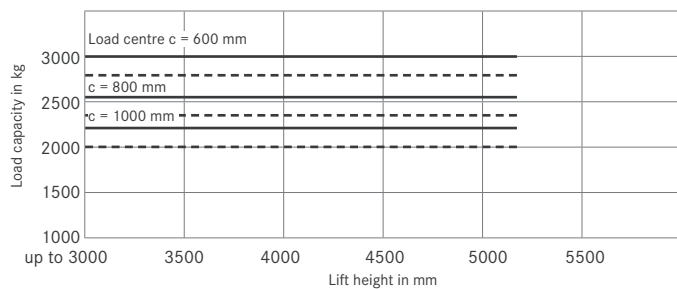
**RX 60-30L telescopic mast**



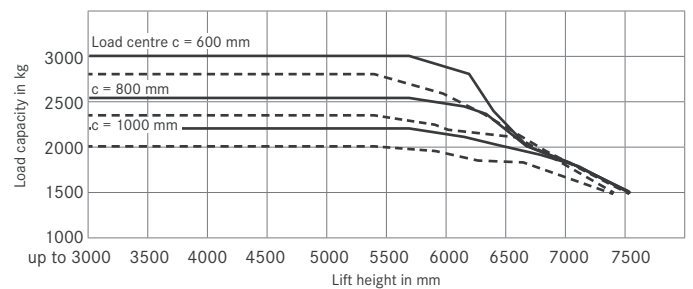
**RX 60-25/600 triplex mast**



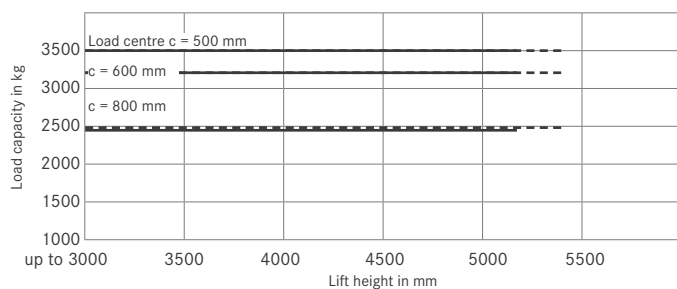
**RX 60-30/600 telescopic mast**



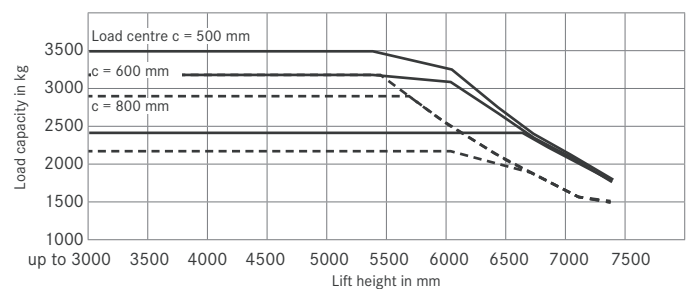
**RX 60-30/600 triplex mast**



**RX 60-35 telescopic mast**



**RX 60-35 triplex mast**



— without side shifter      - - - with fitted side shifter

RX 60-25/35 Electric Forklift Truck  
Mast Tables



			Telescopic mast	HiLo mast	Triplex mast
RX 60-25	Nominal lift	h <sub>3</sub>	mm 2870-5170	2940-5190	4360-5390
	Overall height	h <sub>1</sub>	mm 2125-3275	2100-3275	2100-2475
	Free lift 4 rollers fork carriage	h <sub>2</sub>	mm 160	1470-2600	1470-1850
	Free lift 6 rollers fork carriage	h <sub>2</sub>	mm 160	1320-2450	1320-1700
	Maximum height 4 rollers fork carriage	h <sub>4</sub>	mm 3500-5800	3600-5850	5040-6070
	Maximum height 6 rollers fork carriage	h <sub>4</sub>	mm 3650-5950	3750-6000	5190-6220
	Adjustable fork spread		mm 216 / 368 (telescopic, HiLo) / 521 (triplex) / 673 / 826 / 902 (fork carriage width 1150 mm) / 978 (fork carriage width 1300 mm/1600 mm) / 1054 (fork carriage width 1300 mm) / 1130 (fork carriage width 1600 mm) / 1283 (fork carriage width 1600 mm) / 1359 (fork carriage width 1600 mm)		
	Overall length RX 60-25	l <sub>2</sub>	mm 2353		2353
	Overall length RX 60-25L	l <sub>2</sub>	mm 2498		2498
	Load spacing	x	mm 445		445
	Tyres	front/rear	mm 225/75-10//180/70-8		225/75-10//180/70-8
Track	front/rear	b <sub>10</sub> /b <sub>11</sub> mm 992/900		992/900	
Maximum width	b <sub>1</sub>	mm 1199		1199	
RX 60-25/600	Nominal lift	h <sub>3</sub>	mm 2870-4070	4170-5170	2940-4190
	Overall height	h <sub>1</sub>	mm 2125-2725	2775-3275	2100-2725
	Free lift 4 rollers fork carriage	h <sub>2</sub>	mm 160	1320-1950	2000-2450
	Maximum height 4 rollers fork carriage	h <sub>4</sub>	mm 3650-4850	4950-5950	3750-5000
	Maximum height 6 rollers fork carriage	h <sub>4</sub>	mm 3650-4850	4950-5950	5100-6000
	Adjustable fork spread		mm 216 / 368 (telescopic, HiLo) / 521 (triplex) / 673 / 826 / 902 (fork carriage width 1150 mm) / 978 (fork carriage width 1300 mm/1600 mm) / 1054 (fork carriage width 1300 mm) / 1130 (fork carriage width 1600 mm) / 1283 (fork carriage width 1600 mm) / 1359 (fork carriage width 1600 mm)		
	Overall length RX 60-25/600	l <sub>2</sub>	mm 2358		2358
	Overall length RX 60-25L/600	l <sub>2</sub>	mm 2503		2503
	Load spacing	x	mm 450		450
	Tyres	front/rear	mm 225/75-10//180/70-8	250/60-12//180/70-8	225/75-10//180/70-8
	Track	front/rear	b <sub>10</sub> /b <sub>11</sub> mm 992/900	1050/900	992/900
Maximum width	b <sub>1</sub>	mm 1199	1298	1199	
RX 60-30	Nominal lift	h <sub>3</sub>	mm 2870-5170	2940-5190	4360-5040
	Overall height	h <sub>1</sub>	mm 2125-3225	2100-3225	2100-2325
	Free lift 4 rollers fork carriage	h <sub>2</sub>	mm -	1440-2570	1440-1670
	Free lift 6 rollers fork carriage	h <sub>2</sub>	mm 160	1320-2450	1320-1550
	Maximum height 4 rollers fork carriage	h <sub>4</sub>	mm -	3630-5880	5070-5740
	Maximum height 6 rollers fork carriage	h <sub>4</sub>	mm 3650-5950	3750-6000	5190-5870
	Adjustable fork spread		mm 267 / 673 / 876 / 1080 (fork carriage width 1300 mm/1600 mm) / 1384 (fork carriage width 1600 mm)		
	Overall length RX 60-30	l <sub>2</sub>	mm 2428		2428
	Overall length RX 60-30L	l <sub>2</sub>	mm 2518		2518
	Load spacing	x	mm 465		465
	Tyres	front/rear	mm 250/60-12//180/70-8		250/60-12//180/70-8
Track	front/rear	b <sub>10</sub> /b <sub>11</sub> mm 950/900		950/900	
Maximum width	b <sub>1</sub>	mm 1199		1199	
RX 60-30/600	Nominal lift	h <sub>3</sub>	mm 2870-4770	4870-5170	2940-4790
	Overall height	h <sub>1</sub>	mm 2125-3075	3125-3275	2100-3025
	Free lift 4 rollers fork carriage	h <sub>2</sub>	mm -	1440-2370	2420-2570
	Free lift 6 rollers fork carriage	h <sub>2</sub>	mm 160	1320-2250	2300-2450
	Maximum height 4 rollers fork carriage	h <sub>4</sub>	mm 3650-5550	5650-5950	3630-5480
	Maximum height 6 rollers fork carriage	h <sub>4</sub>	mm 3650-5550	5650-5950	5580-5880
	Adjustable fork spread		mm 267 / 673 / 876 / 1080 (fork carriage width 1300 mm/1600 mm) / 1384 (fork carriage width 1600 mm)		
	Overall length RX 60-30/600	l <sub>2</sub>	mm 2518		2518
	Load spacing	x	mm 465		465
	Tyres	front/rear	mm 315/45-12//180/70-8 (up to 16 km/h in some cases 250/60-12//180/70-8 also possible)		315/45-12//180/70-8 (up to 16 km/h in some cases 250/60-12//180/70-8 also possible)
	Track	front/rear	b <sub>10</sub> /b <sub>11</sub> mm 1002/900	1100/900	1002/900
Maximum width	b <sub>1</sub>	mm 1300	1398	1300	
RX 60-35	Nominal lift	h <sub>3</sub>	mm 2870-4770	4870-5170	2940-4790
	Overall height	h <sub>1</sub>	mm 2125-3075	3125-3275	2100-3025
	Free lift 4 rollers fork carriage	h <sub>2</sub>	mm -	1440-2370	2420-2570
	Free lift 6 rollers fork carriage	h <sub>2</sub>	mm 160	1320-2250	2300-2450
	Maximum height 4 rollers fork carriage	h <sub>4</sub>	mm 3650-5550	5650-5950	3630-5480
	Maximum height 6 rollers fork carriage	h <sub>4</sub>	mm 3650-5550	5650-5950	5580-5880
	Adjustable fork spread		mm 267 / 673 / 876 / 1080 (fork carriage width 1300 mm/1600 mm) / 1384 (fork carriage width 1600 mm)		
	Overall length RX 60-35	l <sub>2</sub>	mm 2548		2548
	Load spacing	x	mm 465		465
	Working aisle width RX 60-35	A <sub>st</sub>	mm (1000 x 1200) 3879/(1200 x 800) 4079		(1000 x 1200) 3879/(1200 x 800) 4079
	Tyres	front/rear	mm 315/45-12//180/70-8		315/45-12//180/70-8
Track	front/rear	b <sub>10</sub> /b <sub>11</sub> mm 1002/900	1100/900	1002/900	
Maximum width	b <sub>1</sub>	mm 1300	1398	1300	

RX 60-25/35 Electric Forklift Truck  
Detailed Photos



Free view with telemast



Free view with triplex mast



Generous storage space



Comfortable and high-quality driver's cab



Well-appointed driver's cab



Visually-optimised and stable crossmember

RX 60-25/35 Electric Forklift Truck  
Detailed Photos



Side guard for especially tough applications



Additional load guard



IWS driver restraint system



Battery replacement system (option)

## RX 60-25/35 Electric Forklift Truck

### Emissions-free efficiency for every use

---

Excellent visibility thanks to new mast concept

Powerful electrical drive has very low environmental impact and high handling rate

Compact design and excellent mobility



Emissions-free efficiency – from the electric forklift trucks in this product line RX 60-25/35 In addition to being emissions-free, the trucks are extremely powerful with a lifting capacity of 2.5 to 3.5 tonnes, while also being extremely compact and manoeuvrable. This counterbalanced forklift truck has a further visible advantage both indoors and outdoors as the optimal solution for a wide range of transport tasks across all sectors. Thanks to a newly developed mast, the field of vision through the mast has been increased by up to 55 per cent. And the sideways view past the mast sets new standards. Benefits like these make the RX 60-25/35 a flexible and innovative all-purpose forklift truck which is also ideal for multiple-shift use thanks to greater battery capacity and lateral battery changing.

With a maximum travel speed of 20 km/h, this efficient forklift can also transport materials over several hundred meters quickly and reliably. For locations at which heavy loads need to be lifted to great heights, STILL also offers the RX 60 with a load centre of 600 mm and, therefore, a particularly high associated residual load capacity. So the RX 60-35 can lift three whole tonnes to a height of over six metres – which is a great advantage in the drinks industry and many others. The additional range of available accessories such as side shifters, rotators and bulk buckets make the RX 60-25/35 a universal warehouse assistant for all kinds of application area.

## Extensive equipment

---

### Power

---

- Can lift up to three tonnes with a load centre of 600 mm
- Move goods effectively: travel speeds of up to 20 km/h
- Enough power for multiple-shift use: high battery capacity and lateral battery change
- Maintenance-free rotary current drive

### Precision

---

- Choose from various driving programs: select maximum turnaround or maximum efficiency
- Adjust to suit every task: speed, acceleration and braking can all be individually set
- Sensitive operation and smooth lifting speed control: state-of-the-art proportional valve technology and intuitive single-pedal operation
- Precise load handling: driver's seat set to one side giving optimal view past loads

### Ergonomics

---

- Spacious, comfortable driver's cab that can be individually set up and offering numerous storage compartments
- Feel at home: standard, easy-to-use operating concept across the whole RX product line
- Comfortable: simple and safe entry and exit

- Choose from a range of individual control options: multi-lever, mini-lever, touch or Joystick 4Plus

### Compactness

---

- Ideal for use in small spaces: compact vehicle dimensions and extreme manoeuvrability allow for operation in narrow aisles

### Safety

---

- Perfect all-round view: higher driver's seat and large viewing window on all sides, also in protective roof
- Optimum levels of safety thanks to vehicle's low centre of gravity
- Outstanding driving stability when turning

### Environmental responsibility

---

- Low operating costs: low energy consumption and long maintenance intervals
- Emission-free drive
- Blue-Q efficiency mode allows energy savings of up to 20 percent at the press of a button with no loss of performance
- Over 95 percent of all installed materials are recyclable



# RX 60-25/35 Electric Forklift Truck

## Equipment Variants



	RX 60-25/-30/-35	RX 60-25L/-30L	RX 60-25/-25L/-30L with LC 600 mm
Driver's cab	Operating costs kept low thanks to low energy consumption and long service intervals (1000 working hours)	●	●
	Dual-pedal control	○	○
	Weather-protected, canvas or full cab	○	○
	Drive-in overhead guard with makrolon roof	○	○
	Driver cab suitable for container loading (height: approx. 2126 mm)	○	○
	Tinted front windscreen, rear and roof windows made of either green-tinted or makrolon laminated safety glass, plus windscreen wiper and wash system	○	○
	Built-in storage and drink holder	●	●
	Splash-proof operating unit featuring display and function buttons	●	●
	Pad with clipboard (removable)	○	○
	Grammer MSG 65 leatherette cover	●	●
	Textile cover, airsprung, leatherette cover, lumbar support, height-adjustable back extension, heated seat	○	○
	Swivel seat can be rotated 20 degrees to the right	○	○
	Grab handle on protected roof	●	●
	Horizontal spring plate for driver's seat to minimise human vibrations	○	○
	Document pocket on the seat back	○	○
	Roof liner with interior lighting	○	○
	Radio/MP3 player with USB connection	○	○
	Protective sunshade and sun blind	○	○
	Electrical heating 1500 W incl. defrosting blaster	○	○
	Adjustable roof window for instant cabin ventilation	○	○
Cold storage version, display and hydraulic oil can be used up to -30 °C	○	○	
Mast	Free view mast available in tele, NiHo and triplex versions	○	○
	Load backrest	○	○
	Mast vertical position	○	○
	Hydraulic accumulator in the lifting cylinder to attenuate thrust seats in the hydraulic system	○	○
	Bellows protect the tilt cylinder from dust and moisture	○	○
	Stroke shut-off via push button	○	○
Tyres	Fork wear protection	○	○
	Superelastic, single tyres, SIT system	●	●
Hydraulics	Superelastic, single tyres, natural colours, SIT system	○	○
	Noise-optimised hydraulic pump	●	●
	Proportional valve technology for especially sensitive movements	●	●
	Individual parametrisation options for hydraulic functions	○	○
Drives	Multi-lever operation	●	●
	Mini-lever with armrest, 2, 3 or 4 levers, touch or joystick	○	○
	5 driving programs and Blue-Q energy saving mode	●	●
Brake	Display showing energy consumption and remaining driving time based on current charge	○	○
	Maintenance-free drives for driving, steering and lifting; components enclosed to protect against dust and moisture	●	●
	Wear-free disc brakes that run in an oil bath	●	●
	Energy recovery when braking	●	●
Safety	Mechanical parking brake	●	●
	Electromechanical parking brake	○	○
	Low centre of gravity and steering axle with high self-aligning bearing for optimum levels of safety	●	●
	Protective grille roof	○	○
	EasyBelt restraint system for quick and safe fastening and unfastening	○	○
	Sauermann restraint system model HRS-E/ERS or IWS restraint system with left-located strap opening	○	○
	Headlights and LED lighting performance	○	○
	Driver-adjusted speed limiter	●	●
	STILL Safety Light warning device, illuminated blue	○	○
	Assistance system (ATC - Assistance Truck Control): safe exit/parking and seat belt control	○	○
	Assistance system (ATC - Assistance Truck Control): speed limiter controlled by steering angle	○	○
	Assistance system (ATC - Assistance Truck Control): speed limited when fork carrier is raised	○	○
	Load measuring with ±2% precision	○	○
Panoramic mirror	○	○	
Direction can be changed both left- and right-handed via mini-console	○	○	
FleetManager: access authorisation, shock detection, reports, OptiTruck	○	○	
Raised driver's compartment by 350 mm for good visibility over high loads, e.g. beverage pallets	○	○	

● Standard ○ Option — Not available

UAB Forksis



## Contact us

If you have any questions or if you want more information we are at your disposal.

Vilniaus m. sav. Vilniaus m. Kirtimu g. 2, 6 korpusas. Vilnius

Sales department:

Tel.: +370 65 573 113

Service department:

Tel.: +370 65 573 112

E-mail:

[info@forksis.lt](mailto:info@forksis.lt)

Online services:

[www.forksis.lt](http://www.forksis.lt)